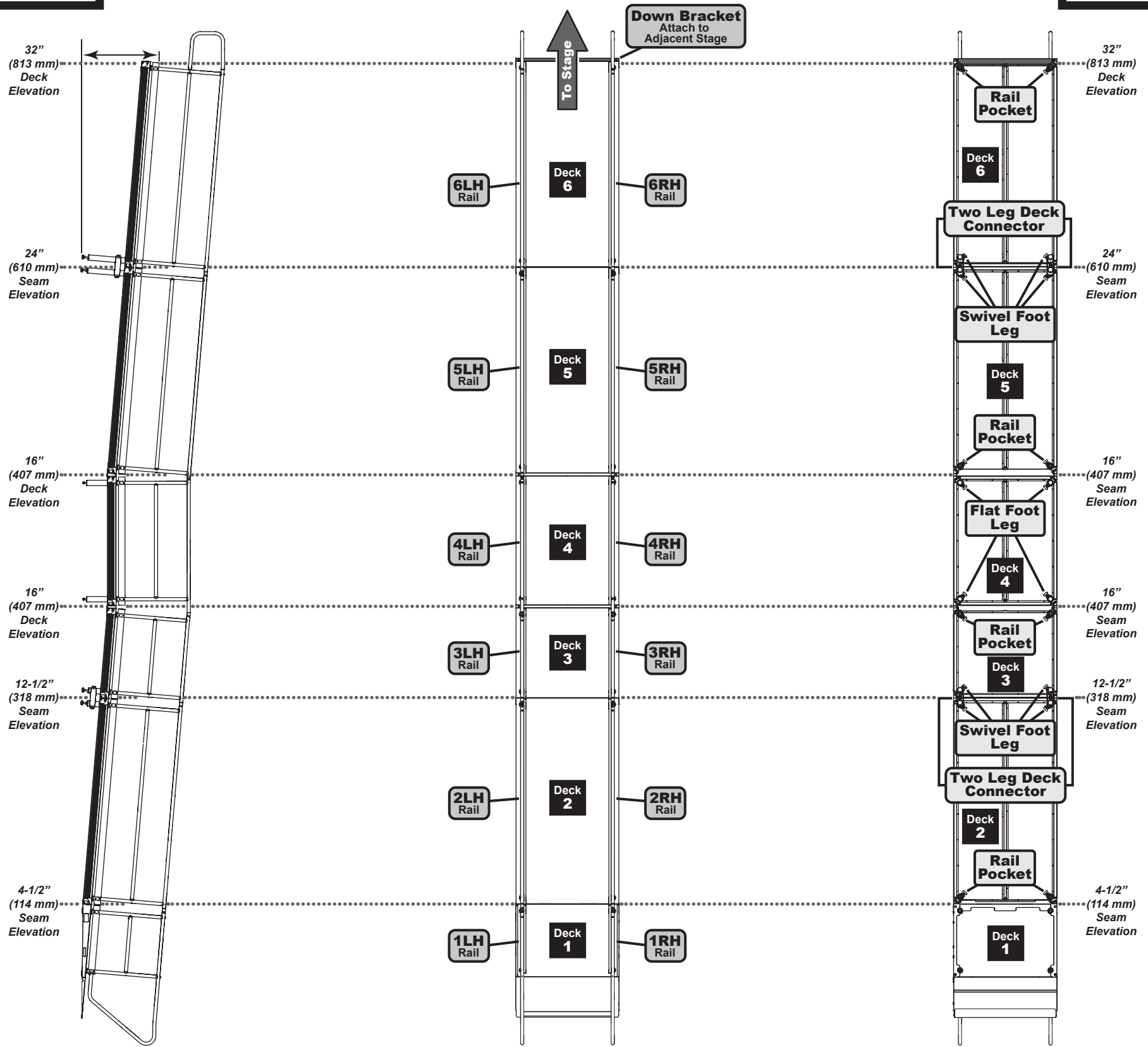
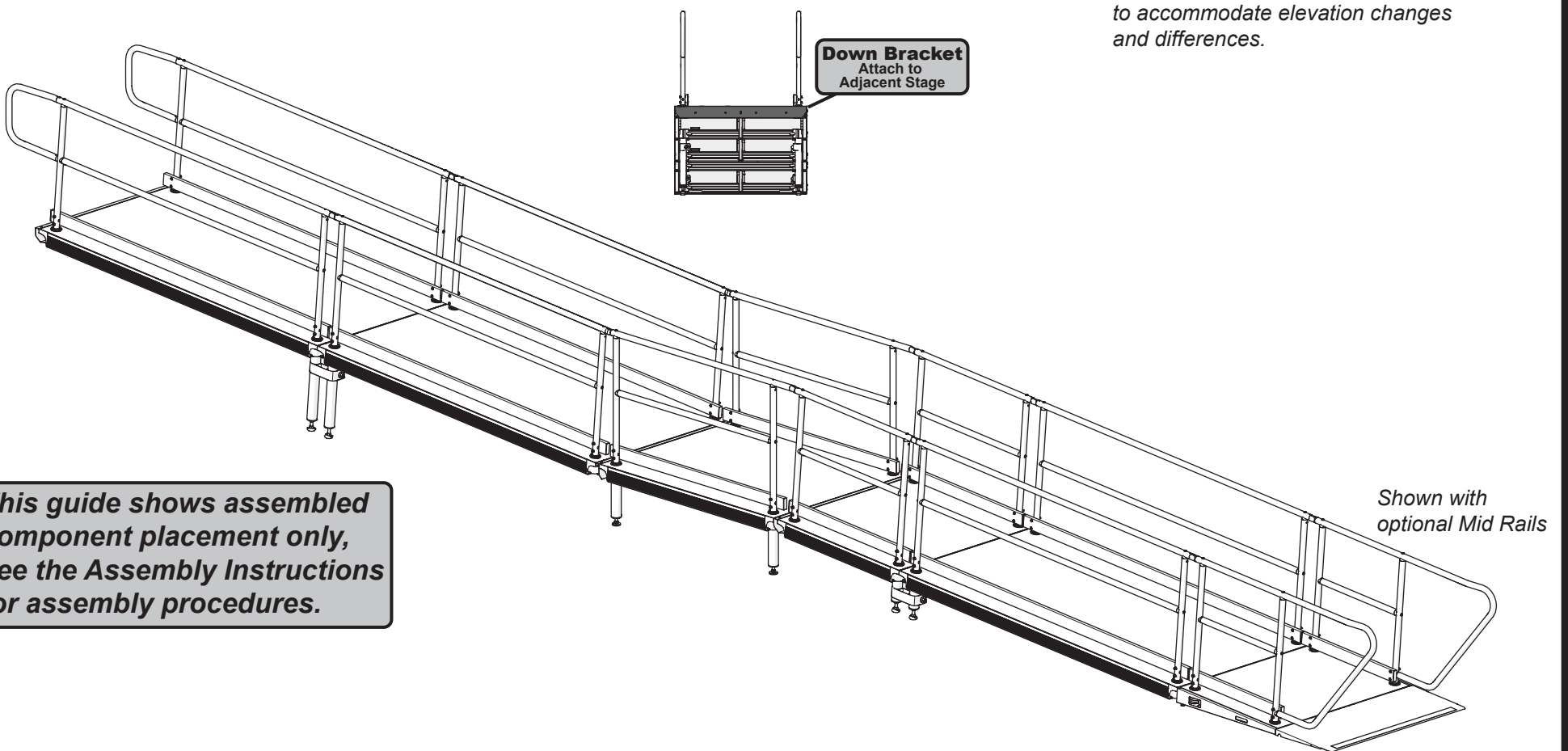


ADA Ramp - Deck and Leg Set Up Guide for 282A021 - 32" (813 mm) Elevation Ramp with no Switchback or Landing



Leg heights may need to be adjusted to accommodate elevation changes and differences.



This guide shows assembled component placement only, see the Assembly Instructions for assembly procedures.

Shown with optional Mid Rails

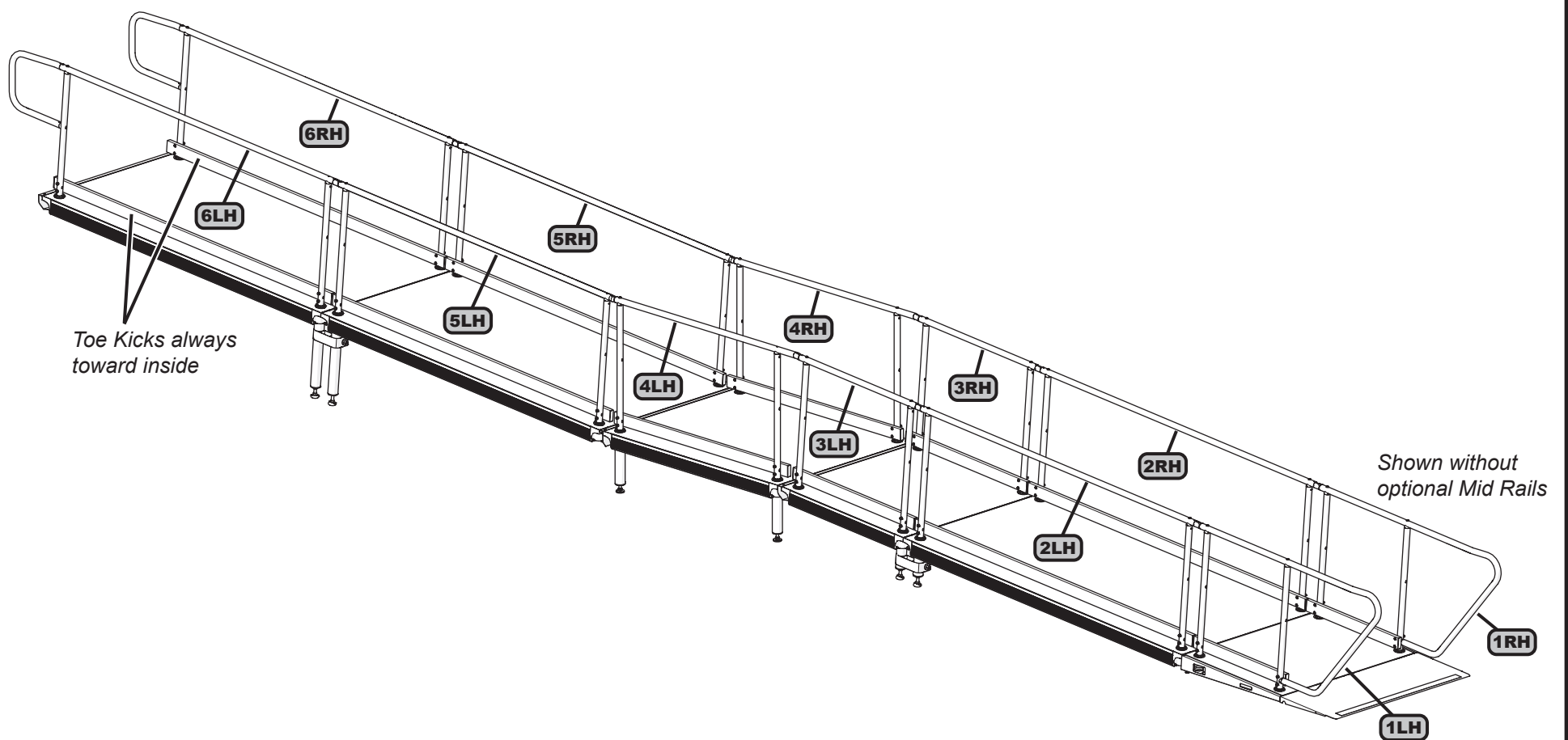
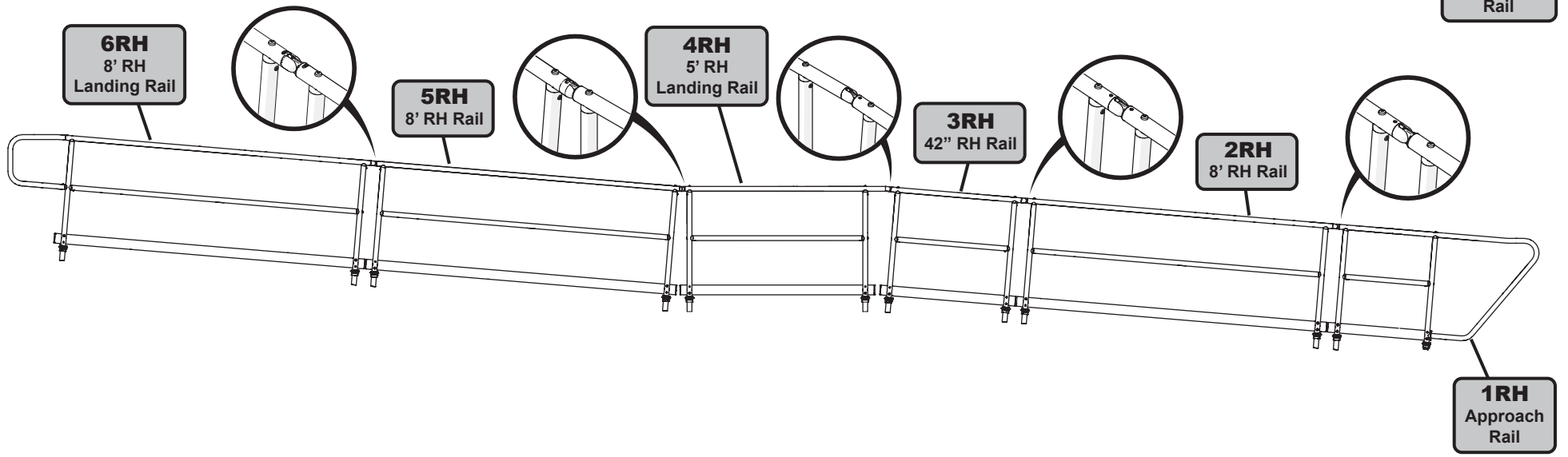
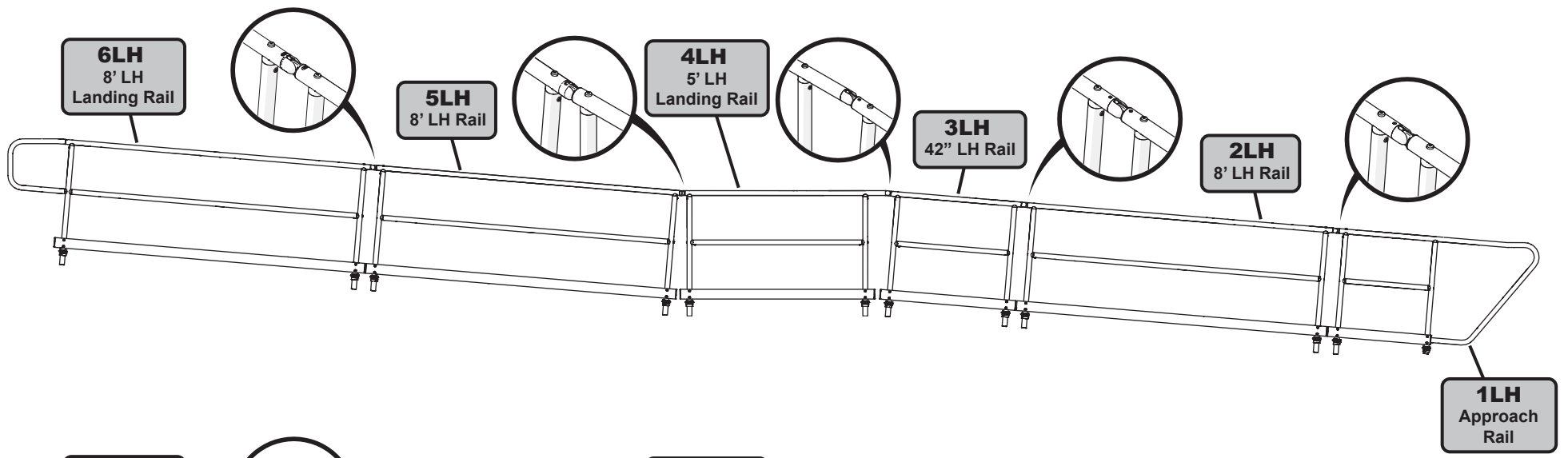
Wenger Corporation
555 Park Drive, P.O. Box 448
Owatonna, Minnesota 55060-0448
USA: 800-4WENGER (493-6437) • Worldwide: +1 (507) 455-4100
wengercorp.com

Wenger[®]
Your Performance Partner

ADA Ramp - Rail Set Up Guide

for 282A021 - 32" (813 mm) Elevation Ramp
with no Switchback or Landing

This guide shows assembled component placement only, see the Assembly Instructions for assembly procedures.



Wenger Corporation
555 Park Drive, P.O. Box 448
Owatonna, Minnesota 55060-0448
USA: 800-4WENGER (493-6437) • Worldwide: +1 (507) 455-4100
wengercorp.com

Wenger®

Your Performance Partner